

# XtraforsBL AC Servomotors



## Features

- Compact size
- High torque
- Low inertia
- High speed

## Power

- Rated torque 0.3 to 78 Nm
- Sizes 40 to 190 mm

## Executions

- Wide range of standard models
- Customized versions
- CE certified, UL listed

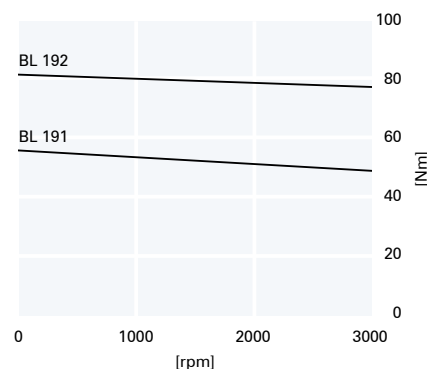
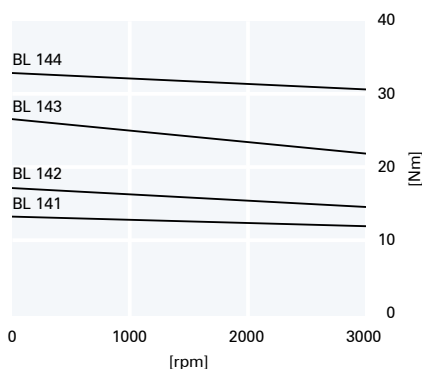
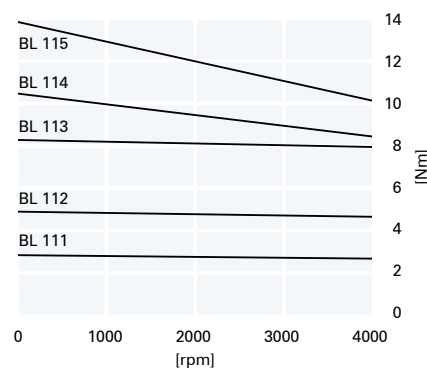
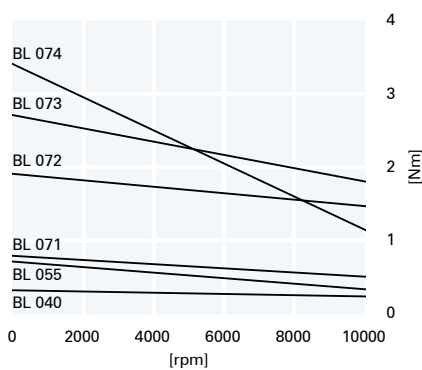
# XtraforsBL, AC Servomotors

This family offers the user a wide range of standard motors. The excellent torque/inertia-ratio gives these motors an extremely high acceleration capability.

## Technical data

Type	Torque	Speed	Winding A (230VAC)		Winding 4 (400VAC)		Length L*		
	M <sub>nom</sub>	n <sub>nom</sub>	I <sub>nom</sub>	n <sub>max</sub> @230V	n <sub>max</sub> @400V	I <sub>nom</sub>	n <sub>max</sub> @400V	without brake	with brake
	[Nm]	[rpm]	[Arms]	[rpm]	[rpm]	[Arms]	[rpm]	[mm]	[mm]
BL 040	0.30	8 000	1.03	10 000	10 000	–	–	112	139
BL 055	0.54	6 500	1.09	7 700	10 000	0.60	7 000	140	170
BL 071	0.69	8 000	1.81	8 200	11 000	0.97	10 000	100	128
BL 072	1.76	6 000	3.67	7 600	11 000	2.20	7 800	120	148
BL 073	2.41	3 800	3.49	5 300	8 200	1.96	5 500	138	166
BL 074	2.60	3 800	3.21	4 600	7 100	1.65	4 500	156	184
BL 111	2.80	3 000	3.37	4 300	6 900	1.96	4 400	165	165
BL 112	4.80	3 000	5.78	4 400	7 100	3.16	4 400	190	190
BL 113	8.10	3 000	9.53	4 700	7 400	5.51	4 400	215	215
BL 114	9.10	3 000	10.96	4 900	7 900	5.59	4 400	240	240
BL 115	11.20	3 000	13.83	4 700	7 700	7.89	4 400	265	265
BL 141	12.00	3 000	12.00	3 700	6 000	6.18	3 500	235	235
BL 142	15.20	2 500	13.45	3 300	5 400	7.00	3 000	256	256
BL 143	23.70	2 000	16.93	2 750	4 500	9.01	2 500	300	300
BL 144	32.00	1 500	17.02	2 300	3 700	9.09	1 900	342	342
BL 191	52.00	2 000	–	–	–	23.32	2 800	261	315
BL 192	78.00	2 000	–	–	–	32.91	2 500	318	372

## Torque curves



## Standard version

- Resolver feedback
- Shaft with keyway
- Protection IP-65
- Angled connectors
- NTC thermal sensor
- 230 V or 400 V winding

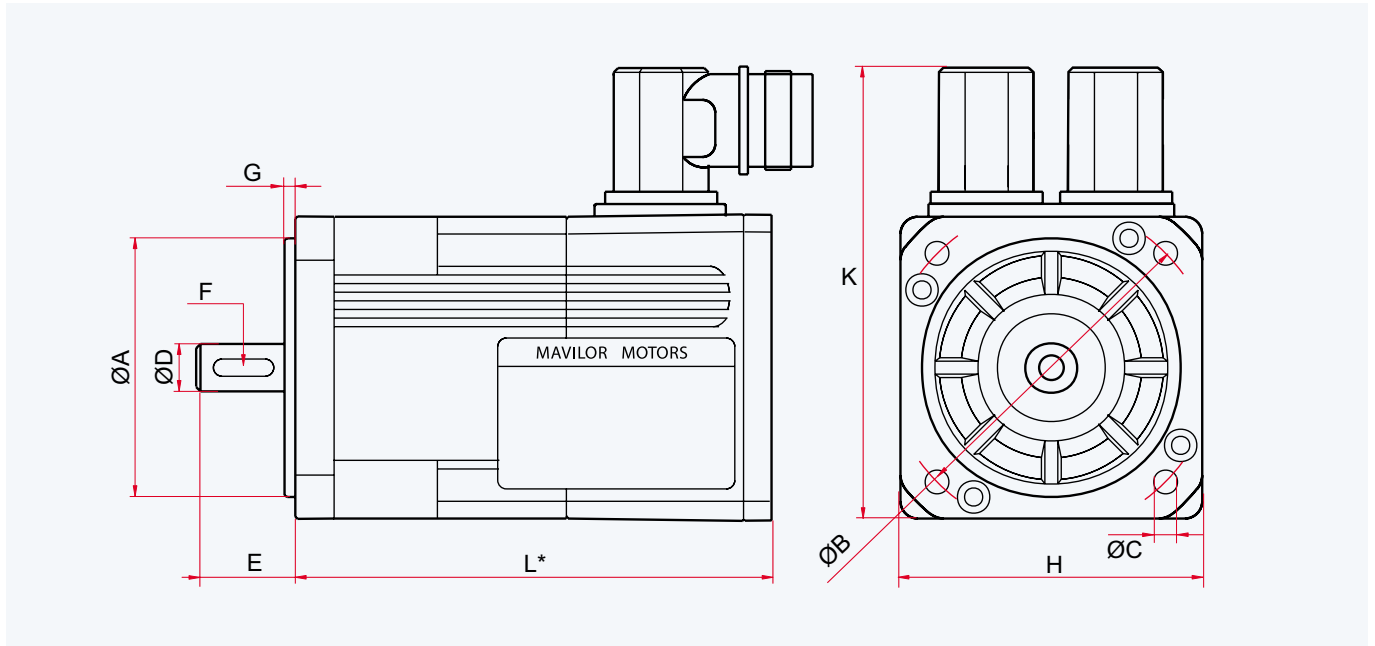
## Options

- Various types of incremental encoders, SinCos encoders, Hiperface, EnDat
- Shaft without keyway
- Protection IP-67
- Shaft seal
- Straight connectors
- Direct cable output
- PTC thermal sensor

## Customized versions

- Shafts (i.e. hollow shafts)
- Flanges, housings
- Windings
- Connections
- Executions according to customer's specification

## Mechanical dimensions



Dimensions [mm]	Ø A	Ø B	Ø C	Ø D	E	F	G	H	K
<b>BL 040</b>	32 h7	45-46	4.3-5	8 h5	25	-	2.5	41	95
<b>BL 050</b>	40 j6	65-66.6	5.6-6.4	9 k6	20	A3x3x12	2.5	57	93
<b>BL 070</b>	60 j6	75	5.5	11 k6	23	A4x4x14	2.5	70	107
<b>BL 110</b>	95 j6	115	9	19 k6	40	A6x6x30	3.0	110	144
<b>BL 140</b>	130 j6	165	11	24 k6	50	A8x7x32	3.5	140	175
<b>BL 190</b>	180 j6	215	16	32 k6	58	A10x8x50	4.0	192	250

## Brakes

Motor Type	<b>BL 040</b>	<b>BL 055</b>	<b>BL 071-072</b>	<b>BL 073-074</b>	<b>BL 111-112</b>	<b>BL 113-115</b>	<b>BL 140</b>	<b>BL 190</b>
Torque [Nm]	0.4	0.75	1.5	3.0	8.0	12.0	20.0	72.0
Voltage [VDC]	24 (+6% - 10%)							

# Addresses

## Switzerland

---

**Infranor SA**  
Place de la Gare 5  
CH-1296 Coppet  
Phone +41 22 960 70 70  
Fax +41 22 960 70 80  
www.infranor.ch  
infranor@infranor.ch

**Infranor AG**  
Schaffhauserstrasse 418  
CH-8050 Zürich  
Phone +41 44 308 50 00  
Fax +41 44 308 50 09  
www.infranor.ch  
infranor@infranor.ch

## Germany

---

**Infranor GmbH**  
Donaustrasse 19a  
D-63452 Hanau  
Phone +49 6181 18012 0  
Fax +49 6181 18012 90  
www.infranor.de  
info@infranor.de

## France

---

**Infranor SAS**  
3, avenue Louis Delage  
F-91310 Linas  
Phone +33 1 69 633 515  
Fax +33 1 69 633 516  
www.infranor-france.com  
infranor@infranorfrance.com

## Spain

---

**Infranor Spain SL**  
Occitània, 24  
E-08911 Badalona  
(Barcelona)  
Phone +34 93 460 16 31  
Fax +34 93 399 96 08  
www.infranor.es  
infranor@infranor.es

## Benelux

---

**Infranor B.V.**  
Albert Einsteinstraat 6  
NL-3261 LP Oud-Beijerland  
Phone +31 186 610 155  
Fax +31 186 614 535  
www.infranor.nl  
info@infranor.nl

## England

---

**Infranor Ltd.**  
Unit 60A, Smithbrook Kilns  
Cranleigh  
UK-Surrey GU6 8JJ  
Phone +44 1483 274 887  
Fax +44 1483 276 037  
www.infranor.ltd.uk  
sales@infranor.ltd.uk

## USA

---

**Infranor, Inc.**  
299 Ballardvale Street Suite 4  
USA-Wilmington, MA 01887  
Phone +1 978 988 9002  
Fax +1 978 988 9112  
www.infranorusa.com  
info@infranorusa.com

## China

---

**Infranor Motion Control  
Technology (Shanghai) Co., Ltd.**  
Room 4E, Building A4  
No. 700 Yishan Rd  
CN-200233 Shanghai  
Phone +86 21 6440 1095  
Fax +86 21 6440 1095  
www.infranor.cn  
info@infranor.cn



## The Infranor Group

---

Infranor creates added value for its customers by providing tailor-made motion solutions.

Based on strong working relationships, Infranor offers extensive market know-how, comprehensive engineering skills and a wide range of high-quality products leading to productivity gains and therefore to comparative advantages for its customers in their respective markets.

## The Infranor Brand

---

The Infranor Brand is a synonym for:

- Excellence
- Cooperation
- Added value