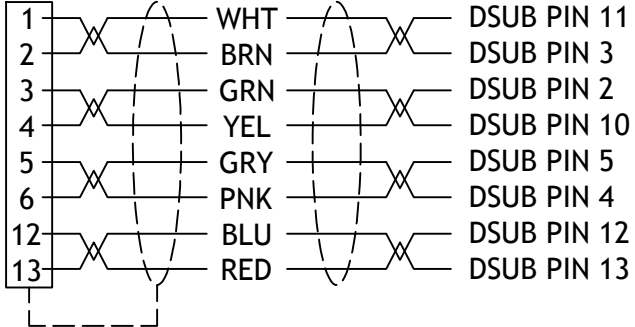
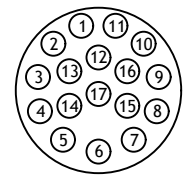
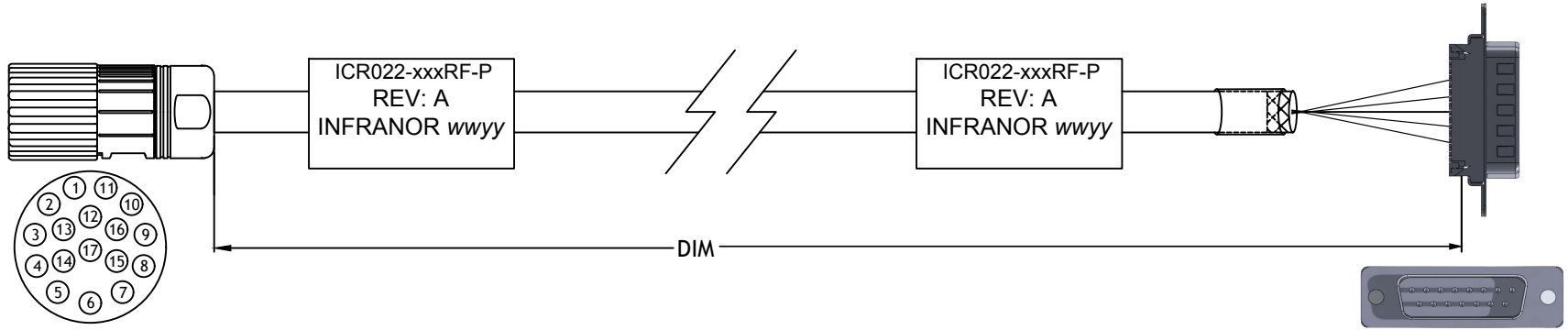


CABLE NOTES:

- INTERNAL WIRES ARE 24 AWG
- CABLE OD IS 8 mm
- MIN BENDING RADIUS IS 40 mm
- MAX CABLE LENGTH IS 45M (150FT)
- CONSULT INFRANOR FOR > 25M.



LABEL CHART	
WIRE	LABEL
WHT	S2 (SIN+)
BRN	S4 (SIN-)
GRN	S3 (COS+)
YEL	S1 (COS-)
GRY	R1 (REF+)
PNK	R2 (REF-)
BLU	THERM
RED	THERM

NOTES:

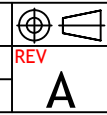
- 1: THIS DRAWING IS ONLY MEANT FOR INSTALLATION PURPOSES ON AN INFRANOR MOTOR.
- 2: THIS DRAWING IS NOT TO BE RE-DISTRIBUTED OR USED TO MAKE CABLES.

ALL CABLE ASSEMBLIES MEET IPC/WHMA-A-620 CLASS 2 WORKMANSHIP AND INSPECTION STANDARDS			
CHECKED	DATE 3/02/2020	TITLE: READY CABLE LAYOUT	
APPROVED	DATE	Infranor	
PART/ASSEMBLY # (ICR022-xxxRF-P)-Resolver		QUOTE#	
UNLESS OTHERWISE SPECIFIED, ALL DIMENSIONS ARE IN INCHES.		SCALE NTS SIZE B SHEET 1 of 1	

ALL CABLES ARE ACQUIRED FROM CONNECTOR END TO CONECTOR END PER IPC/WHMA-A-620 UNLESS OTHERWISE SPECIFIED	UNLESS OTHERWISE SPECIFIED, ALL DIMENSIONS ARE IN INCHES.					
	CABLE OVERALL LENGTH	< 1'	> 1' - 5'	> 5' - 10'	> 10' - 25'	> 25'
	TOLERANCE	+1" - 0"	+2" - 0"	+4" - 0"	+6" - 0"	+5% - 0%



PROPRIETARY & CONFIDENTIAL
THE INFORMATION CONTAINED IN THIS DRAWING IS THE SOLE PROPERTY OF INFRANOR INC. ANY REPRODUCTION IN PART OR AS A WHOLE WITHOUT WRITTEN PERMISSION FROM INFRANOR INC. IS PROHIBITED.



A	-	DRAWING RELEASED			
REV	ECN	DETAILS	DATE	APPROVAL	