



# Movinor N AC Servomotors



## Features

Ultra compact size

High torque

Low inertia

Protection IP-65

## Power

Stall torque 0.28 to 60 Nm, rated torque 0.25 to 44 Nm

Sizes 55, 64, 70, 86, 98, 142 & 190 mm

## Executions

Wide range of standard models

Customized versions

CE and UL certifications

ATEX versions

# Movinor N, high-efficiency AC Servomotors

These motors with stators manufactured in pole winding technology are improved versions of the H-series. An optimized mechanical construction and stronger magnets result in an increase of power-density of 15 to 20% compared to the predecessor models, depending on frame size and motor length.

## Technical data

Type	Torque	Speed	Winding C (230VAC)			Winding D (400VAC)		Length K <sup>3</sup>	
	M <sub>o</sub>	n <sub>nom</sub>	I <sub>o</sub>	n <sub>max</sub> @230VAC	n <sub>max</sub> @400VAC	I <sub>o</sub>	n <sub>max</sub> @400VAC	without brake	with brake
	[Nm]	[rpm]	[Arms]	[rpm]	[rpm]	[Arms]	[rpm]	[mm]	[mm]
N055-1 <sup>1</sup>	0.28	4 500	0.97	12 000	12 000	0.97	12 000	67	105
N055-2	0.54	4 500	1.17	7 740	12 000	0.93	10 710	82	120
N055-3	0.75	4 500	1.54	7 380	12 000	0.86	7 100	97	135
N055-4	0.95	4 500	1.82	6 950	12 000	1.15	7 560	112	150
N064/070-1 <sup>2</sup>	0.75	3 000	1.15	5 520	9 560	0.89	7 400	98	138
N064/070-2 <sup>2</sup>	1.30	3 000	1.77	4 910	8 500	0.99	4 780	116	156
N064/070-3 <sup>2</sup>	1.75	3 000	2.20	4 610	7 980	1.11	3 980	134	174
N064/070-4 <sup>2</sup>	2.20	3 000	2.70	4 420	7 650	1.49	4 250	152	192
N064/070-5 <sup>2</sup>	3.00	3 000	3.10	4 420	6 420	1.91	3 980	188	228
N086-1	1.15	3 000	2.00	6 320	10 940	1.10	5 980	82	120
N086-2	2.05	3 000	2.80	4 920	8 520	1.57	4 790	100	138
N086-3	3.50	3 000	4.20	4 390	7 600	2.40	4 260	136	174
N086-4	4.80	3 000	4.80	3 660	6 340	2.80	3 680	172	210
N098-1	5.10	3 000	6.80	4 800	8 300	3.80	4 650	113	154
N098-2	7.50	3 000	8.90	4 300	7 440	5.20	4 350	143	184
N098-3	9.60	3 000	10.70	4 060	7 030	6.00	3 910	173	214
N098-4	11.30	3 000	11.00	3 540	6 130	7.10	3 950	203	244
N142-1	12.00	3 000	14.20	4 310	7 460	8.00	4 170	145	181
N142-2	16.00	3 000	17.30	3 920	6 790	10.10	3 950	175	211
N142-3	20.00	3 000	18.60	3 380	5 850	11.60	3 650	205	241
N142-4	24.00	2 000	22.30	3 380	5 800	14.00	3 650	235	271
N190-1	18.00	3 000	–	–	–	12.20	4 260	158	222
N190-2	24.00	3 000	–	–	–	15.30	4 000	183	247
N190-3	30.00	3 000	–	–	–	17.80	3 720	208	272
N190-4	38.00	3 000	–	–	–	23.00	3 950	233	297
N191-1	30.00	3 000	–	–	–	16.30	3 420	181	245
N191-2	40.00	3 000	–	–	–	26.30	4 130	211	275
N191-3	50.00	2 000	–	–	–	22.70	2 850	241	305
N191-4	60.00	2 000	–	–	–	24.00	2 510	271	335

<sup>1</sup> N055-1: same electrical characteristics of windings for 230 and 400VAC

<sup>2</sup> N064/070: special range available with a minimal batch of 5 pieces per order

<sup>3</sup> Length for motors with resolver and 0° straight or 90° angled connectors towards rear

### Standard version

- Resolver feedback
- Shaft without keyway
- Protection IP-65
- Angled connectors 90° towards rear
- PTC sensor
- Windings 230/400VAC (320/560VDC)

### Options

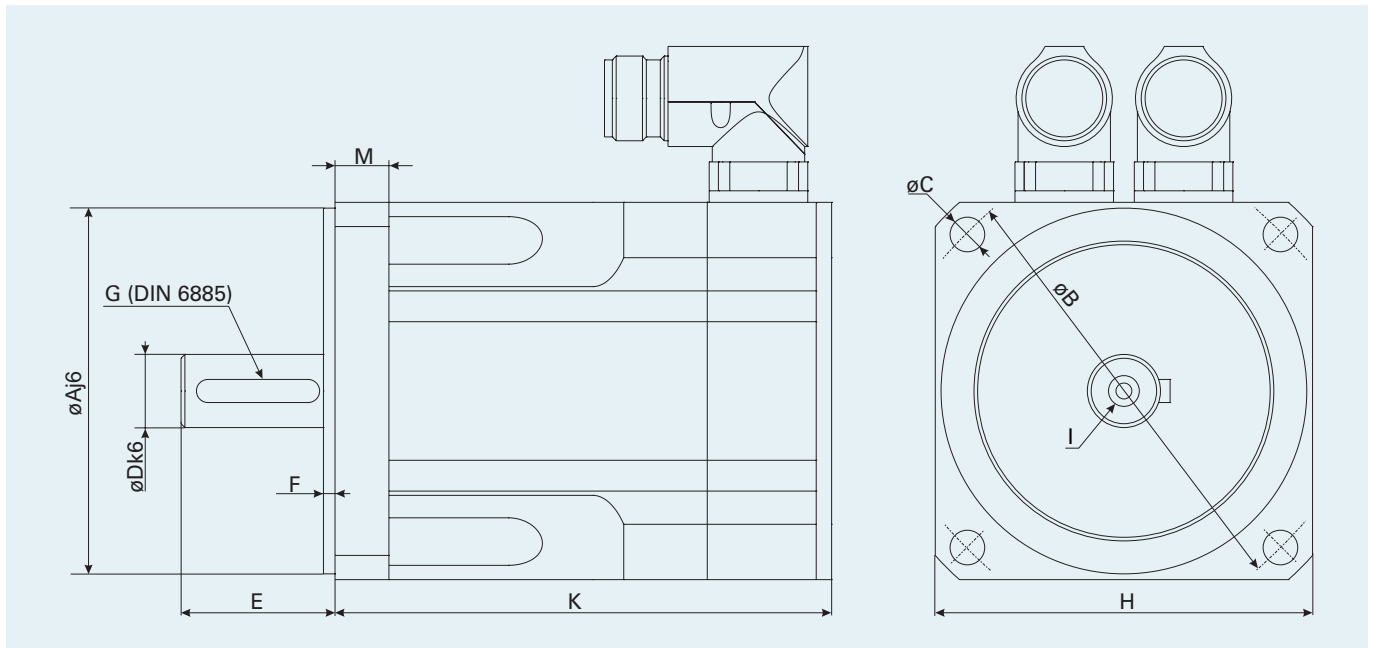
- Incremental encoder, SinCos, Hiperface, EnDat
- Shaft with keyway
- Protection IP-67
- Shaft seal
- Straight, 90° towards front or rotatable connectors
- Direct cable output
- NTC, PT1000 sensors
- ATEX II 3G Ex nA II 155°C and ATEX II 3D Ex tc IIIC 155°C according to EN 60079-0/15/31

### Customized versions

- Shafts (i.e. hollow shafts)
- Flanges, housings
- Windings
- Connections
- Execution according to customer's specifications

The superior power density and the excellent accelerating ability make these motors perfectly suited for high-dynamic applications in machines like packaging, handling, assembly, textile and others.

## Mechanical dimensions



Dimensions [mm]	$\varnothing A_{j6}$	$\varnothing B$	$\varnothing C$	$\varnothing D_{k6}$	E	F	G	H	I	M
<b>N055</b>	40	63	4x5.8	9	20	2.5	3x3x18	55	M3x7(opt)	6
<b>N064<sup>2</sup></b>	50	70	4x5.7	14	30	2.5	5x5x22	64	M4x14	11
<b>N070<sup>2</sup></b>	60	75	4x5.7	11	23	2.5	4x4x16	70	M4x14	11
<b>N086</b>	80	100	4x7.0	14	30	3.0	5x5x22	86	M4x10	11
<b>N098</b>	95	115	4x9.0	19	40	3.0	6x6x32	98	M5x14	14
<b>N142</b>	130	165	4x12.0	24	50	3.5	8x7x40	142	M8x20	14
<b>N190</b>	180	215	4x13.0	24	50	3.5	8x7x40	190	M8x19	12
<b>N191</b>	180	215	4x15.0	28	58	4.0	8x7x40	190	M10x22	15

<sup>2</sup> N064/070: special range available with a minimal batch of 5 pieces per order

## Brake

Motor type	<b>N055</b>	<b>N064/070/086</b>	<b>N098</b>	<b>N142</b>	<b>N190</b>	<b>N191</b>
Torque [Nm]	2.0	4.5	9.0	18.0	36.0	36.0
Supply [VDC]	24 (+6% – 10%)					

# Infranor product range

## Drives

### Standard drives



### Customized drives



### Drive applications



## Motors

### Standard motors



### Customized motors



### Motor applications

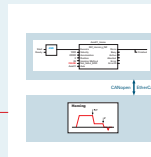


## Services

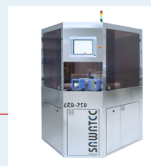
### Standard services



### User-specific services



### Global solutions

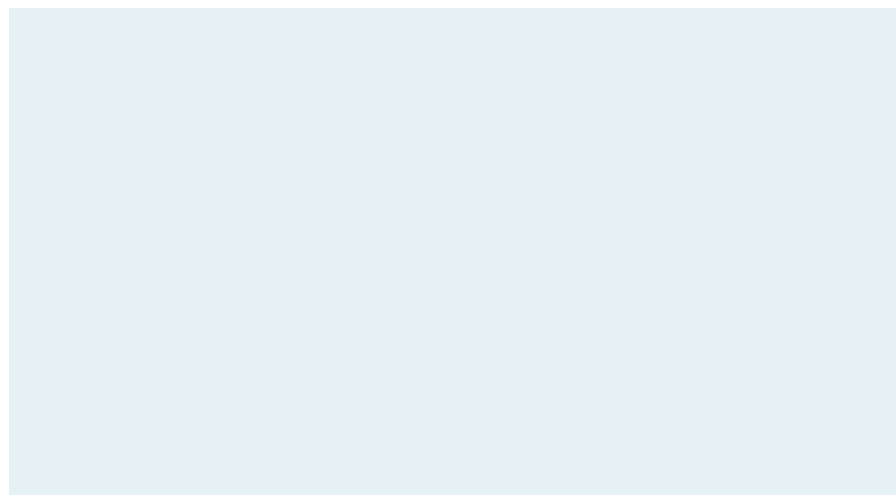


## Infranor Group

Infranor creates added value for its customers by providing tailor-made motion solutions.

Based on strong working relationships, Infranor offers extensive market know-how, comprehensive engineering skills and a wide range of high-quality products leading to productivity gains and therefore to comparative advantages for its customers in their respective markets.

## Contact



## Infranor worldwide

Switzerland  
Germany  
France  
Italy  
UK  
Spain  
USA  
China

Other representations:  
Denmark, Poland, Slovenia,  
Israel, India.



[www.infranor.com](http://www.infranor.com)