



Xtrafors BR AC Servomotors

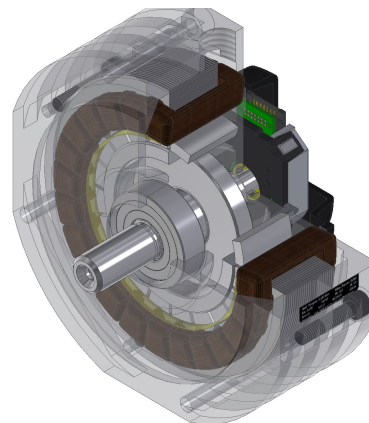


Features

- Solid and Hollow shaft.
- Reduced weight brushless motors.
- Small volume.
- High torque/weight ratio.
- Pancake size. Low center of gravity.

XtraforsBR, AC Servomotors

BR series multi-pole brushless motor, originally developed for direct drive use in AGVs, providing superior torque-to-weight ratio.

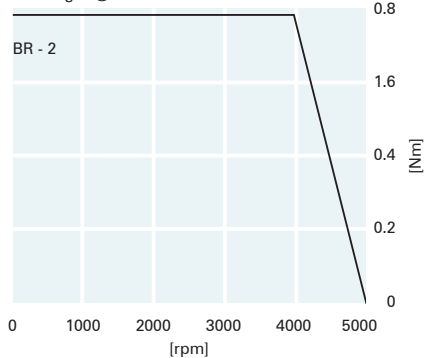


Technical data

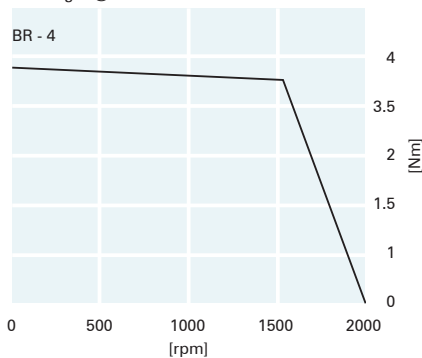
	Stall Torque	Rated speed	Rated current	Torque constant	EMF constant	Winding resistance	Rotor Inertia	Mass
	(Ms)	(M)	(I)	(K_T)	(K_E)	(R)	(J)	M
@ 48VDC	(Nm)	(rpm)	(Arms)	(Nm/A)	(Vs/rad)	(Ω)	($\text{kg}\cdot\text{m}^2\cdot 10^{-3}$)	(kg)
BR- 2	0.8	4000	8.00	0.1	0.06	0.71	0.016	0.47
BR- 3	2.6	3100	18.5	0.14	0.08	0.21	0.105	1.2
BR- 4	3.8	1500	15.0	0.26	0.15	0.25	0.385	2.18

Torque curves

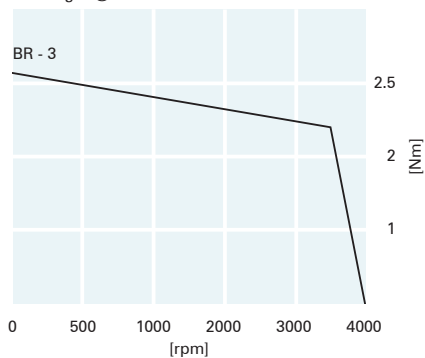
Winding A @48VDC



Winding A @48VDC



Winding A @48VDC



Standard version

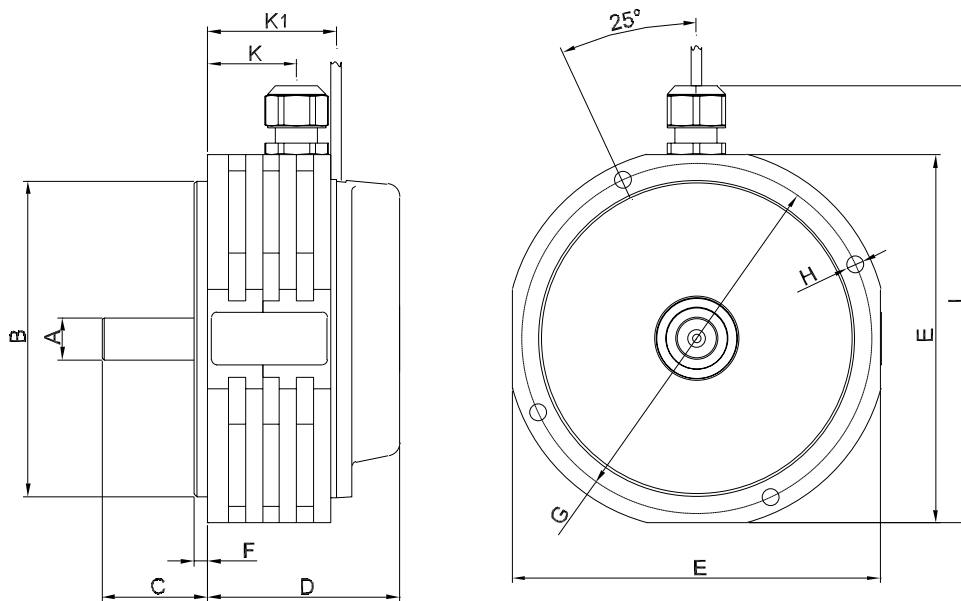
- Incremental encoder with commutation tracks
- 10 pole pair (20 poles) rotor
- B5 Round Flange
- Protection IP 54
- Flying leads output cables
- 48/24 VDC winding

Options

- Programmable encoder resolution 1000, 1024, 2000, 2048, 4000, 4096 ppr
- Brake
- Absolute Encoder
- Customised Windings upon request

XtraforsBR high efficiency allows high autonomy in Battery powered systems.

Mechanical dimensions



Dimensions [mm]	BR - 2	BR - 3	BR - 4
A	8 k6	11 k6	16 k6
B	60j6	80 j6	115j6
C	20	23	40
D	36.5	40	53
E Ø	70	100	130
F Ø	2.5	3	3.5
G	66.5	95	127
H Ø	4xM3	4xM4	4xM4
I	83	121	153.5
K	17	27.5	27.5
K1	26	38.1	41

Addresses

Switzerland

Infranor SA

Althardstrasse 158
CH-8105 Regensdorf
Phone +41 44 308 50 00
www.infranor.ch
info.ch@infranor.com

Germany

Infranor GmbH

Donaustrasse 19a
D-63452 Hanau
Phone +49 6181 18012 0
www.infranor.de
info.de@infranor.com

France

Infranor SAS

1, rue Georges Besse
F-92160 Antony
Phone +33 1 56 45 16 00
www.infranor.fr
info.fr@infranor.com

Spain

Infranor Spain SL

C/. Occitània, 24
E-08911 Badalona
(Barcelona)
Phone +34 93 460 16 31
www.infranor.com
info.spain@infranor.com

Mavilor Motors, S.A

C/. Empordà 11-13
E-08130 Santa Perpètua
Mogoda (Barcelona)
Phone +34 93 574 36 90
www.mavilor.com
mavilor@mavilor.es

UK

Infranor Ltd.

Building 720
Bentwaters Business Park
Rendlesham Suffolk
IP12 2TW
UK
Phone +44 1394 421 536
www.infranor.com
info.uk@infranor.com

USA

Infranor USA

299 Ballardvale St, Suite 4
Wilmington, MA 01887 USA
Phone +1 978 988 9002
www.infranorusa.com
info@infranorusa.com

China

Infranor Motion Control Technology (Shanghai) Co., Ltd.

Room 409, No.448 Hongcao
Rd PR. China CN-200233
Shanghai
Phone +86 (0)21 6145 5455
www.infranor.cn
info.cn@infranor.com



The Infranor Group

Infranor creates added value for its customers by providing tailor-made motion solutions.

Based on strong working relationships, Infranor offers extensive market know-how, comprehensive engineering skills and a wide range of high-quality products leading to productivity gains and therefore to comparative advantages for its customers in their respective markets.